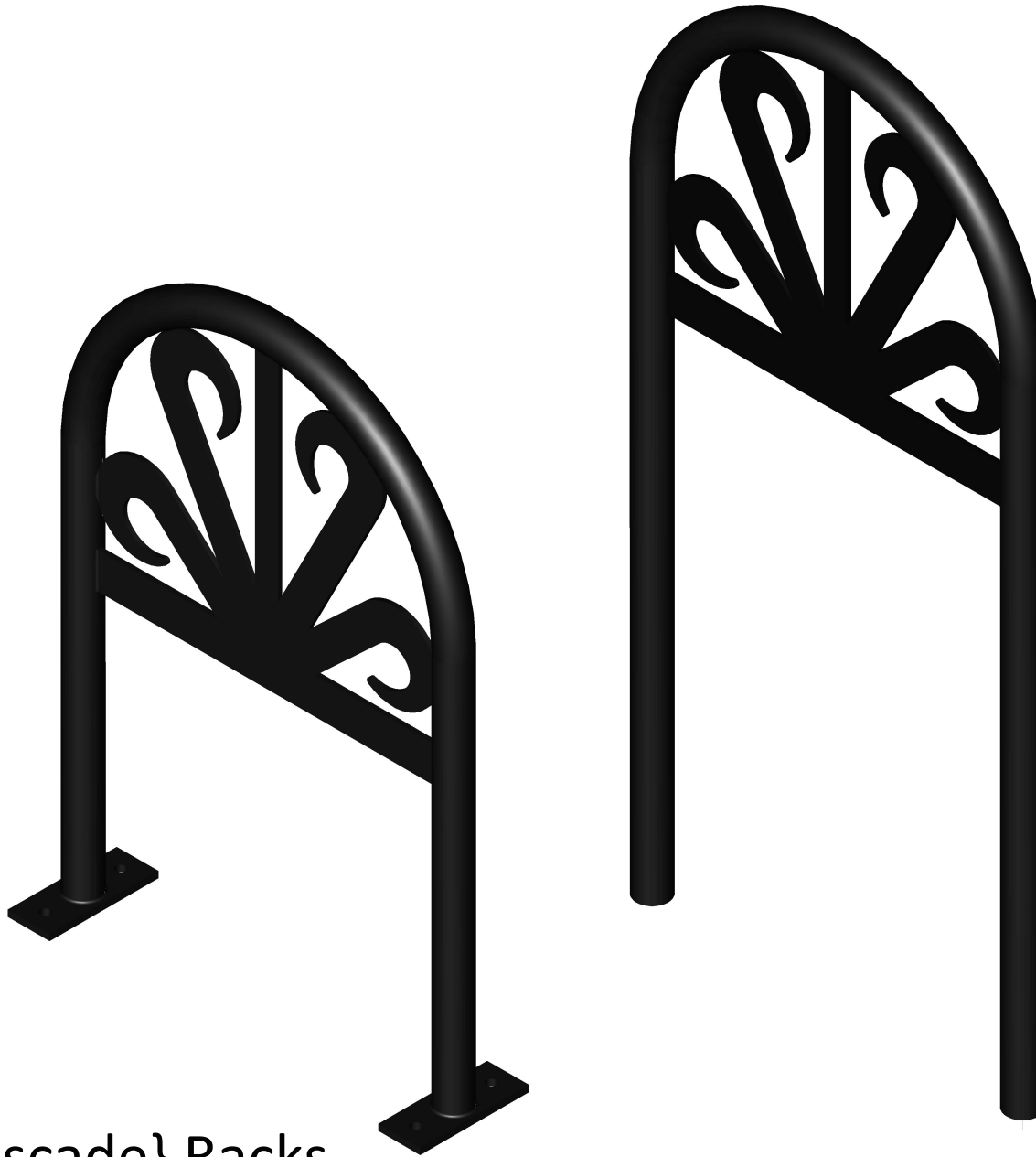


In Ground #12106
Surface #12160



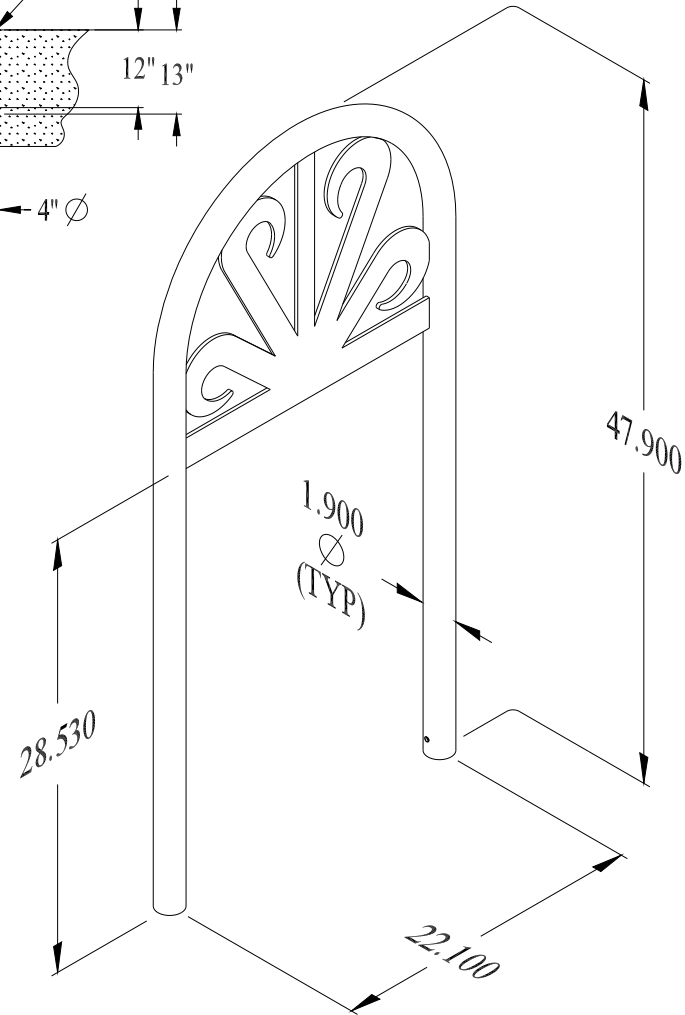
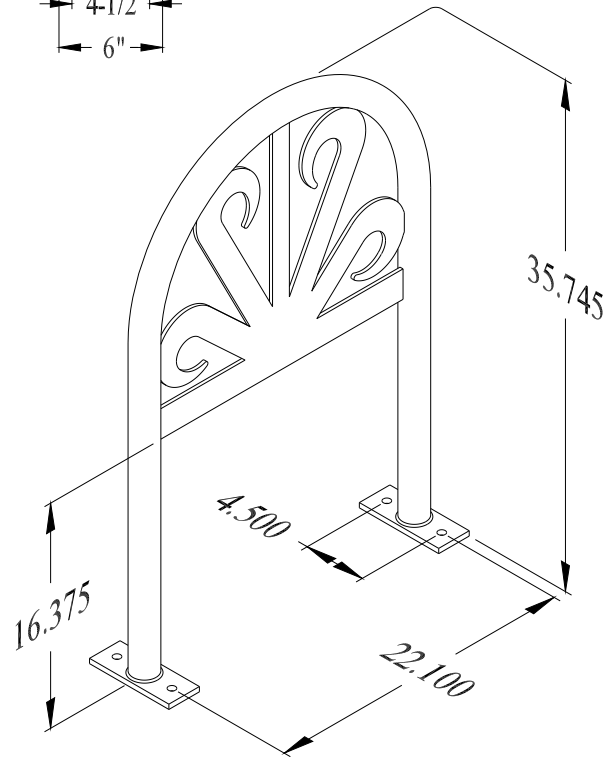
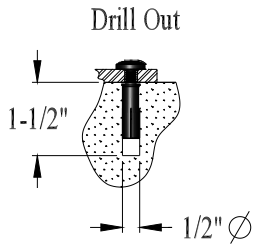
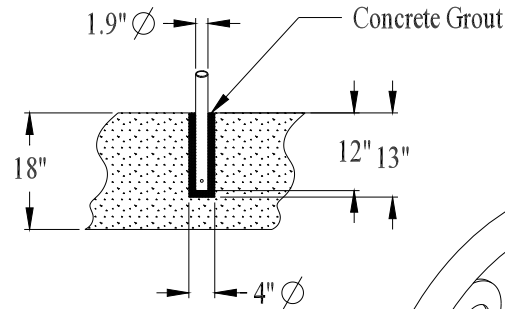
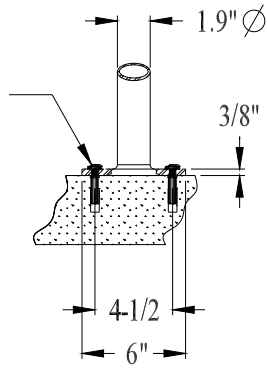
Vintage {Cascade} Racks
Surface Mount / In Ground Mount

SURFACE MOUNT

IN GROUND MOUNT

In Ground #12106
Surface #12160

3/8" x 1" Torx Bolt &
3/8" x 1" S/S Drop In Anchor
(4) Places per Rack



Vintage {Cascade} Racks
Surface Mount / In Ground Mount {Dims}



www.cyclesafe.com